

# Arkham Technology<sup>®</sup> Ethernet to DS-101 Bridge

## SPECIFICATIONS:

### Data Rate:

Up to 100 Mbps (Enet)  
64 kbps (DS-101/RS-485)  
Up to 128 kbaud (RS-232)

### Audio Connector (P1):

MIL-DTL-55116

### PC Connector (P2):

RJ-45 Female  
Power over Ethernet  
Support

### Length:

0.5M (approx 1.5')

### EMI Shielded Twisted Pair:

Yes

### DS-101 Wake-up Support:

Yes

### Multi-Drop DS-101

### Support:

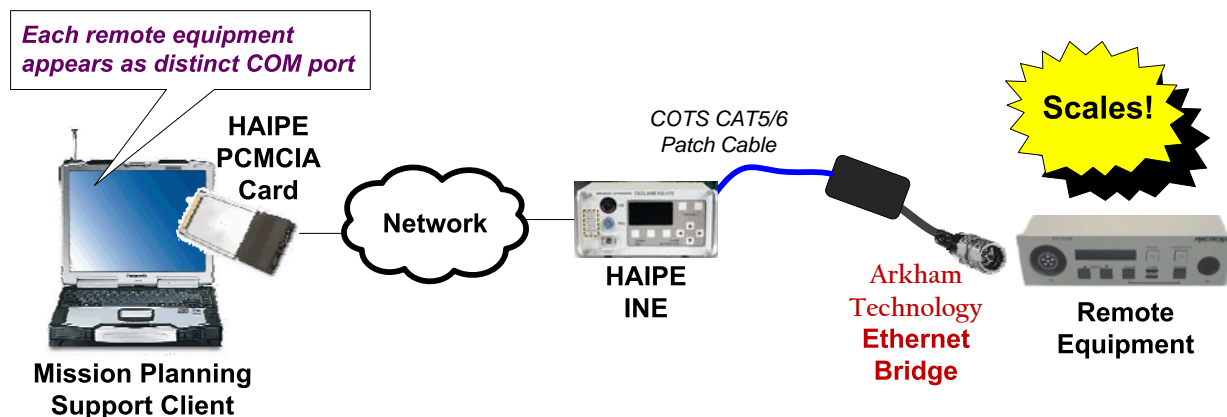
Yes

**CUSTOM DESIGN  
SERVICE AVAILABLE**



- Remotely communicate with DS-101 (RS-485) devices through a secure network
- Very low-latency
- Does not require remote key server
- Plug and play
  - Transparent to host applications
  - Looks like a standard COM port
  - Automatically adjusts baud rate to synchronous DS-101 modulation
- Scalable – One host can communicate with many remote units

## Typical Application



## System Requirements

- Personal computer or embedded CPU
- Operating system:
  - Microsoft Windows (Vista, XP)

 **ARKHAM  
TECHNOLOGY**  
4 Venture, Suite 200  
Irvine CA 92618-7372  
Phone: 949-228-6677  
Arkinfo@Arkhamtechnology.com